

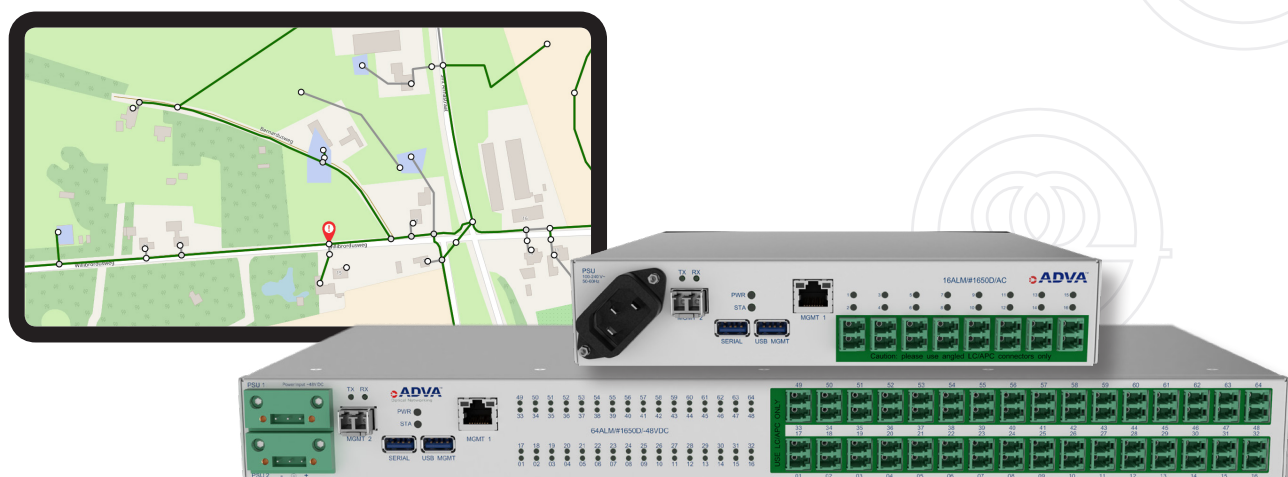


ALM Series

Fiber assurance solution for lean operations

Fiber is a high-value asset. It transports huge amounts of data, generating significant revenue. Fiber failure demands immediate action but a lack of information about the nature of a problem often makes this impossible. In-service fiber monitoring solves this issue and our unique ALM does it with unrivalled efficiency.

Operations teams have one key objective: run a complex communication infrastructure as efficiently as possible. In the event of network failure, a root cause analysis should not require on-site field forces with expensive measurement equipment. Giving customers higher bandwidth services should be possible without changing demarcation device. Gathering real-time information about the integrity of the fiber network should not require costly new kit. Proactive fiber link monitoring solves those challenges. Our ALM is an in-service advanced link monitoring solution for highly precise, real-time monitoring of fiber links. It streamlines operational processes, shortens repair cycles and enables service-agnostic network demarcation.



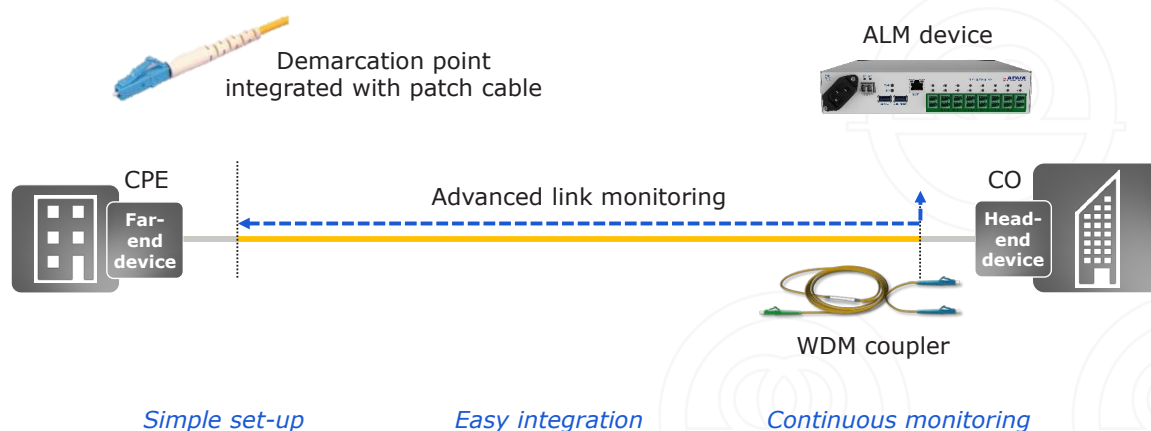
Your benefits

- ✓ **Improved service quality**
 Real-time information on fiber integrity for fast failure detection and short repair cycles
- ✓ **Higher availability**
 Detecting degradations and initiating counter-measures before services are affected and SLAs are violated
- ✓ **Non-intrusive monitoring**
 Inherent compatibility of demarcation reflectors with any user data protocol as well as multi-wavelength transmission systems
- ✓ **Simplified demarcation**
 Passive demarcation reflectors for operation without power supply even under harsh environmental conditions
- ✓ **Streamlined operations**
 In-service fiber monitoring for immediate separation between failures of active devices and problems with the fiber plant
- ✓ **Intuitive management interface**
 Integrated with market-leading geographic information systems (GIS) to quickly and easily localize fiber issues

High-level specifications

<p>Fiber link monitoring</p> <ul style="list-style-type: none"> • Two ALM variants for supervision of 16 (16ALM) or 64 fibers (64ALM) per ALM device • Non-intrusive monitoring independent from user traffic • Active component at central office only 	<p>Demarcation reflector</p> <ul style="list-style-type: none"> • Passive device at remote site • No power and no additional space required • Integrated with patch cable or discrete devices • Applicable in harsh environments 	<p>Management capabilities</p> <ul style="list-style-type: none"> • Full SNMP management for all operational processes • Built into market-leading GIS • FSP Network Manager for full set of FCAPS functions
<p>Measurement principles</p> <ul style="list-style-type: none"> • Real-time information about fiber loss profile • Localization of loss points with alarm thresholds • Ultra-fast fiber integrity verification with 3 to 6 secs. per port 	<p>Optical performance</p> <ul style="list-style-type: none"> • Up to 160km nominal reach for access, metro and core applications • Measurement signal at 1650nm, outside user traffic wavelengths 	<p>Operational requirements</p> <ul style="list-style-type: none"> • Power consumption <15W • Fanless operation • Wide operating temperature range (-5°C to 55°C) • Ultra-compact ETSI solution: up to 64 ports per 1RU chassis

Applications in your network



Simplifying operations and creating more value from fiber networks

- Enhancing dark fiber services with real-time assurance information and shorter repair cycles
- Passive demarcation minimizing operational cost at customer premises with powerless operation
- Proactive fiber monitoring instead of post-failure problem analysis with field services engagement
- Non-intrusive fiber monitoring for assured service delivery enabling service modifications and upgrades without on-site visits
- Remote access to passive fiber sensors for monitoring of unpowered sites



For more information please visit us at www.advaoptical.com
© 08 / 2018 ADVA Optical Networking. All rights reserved.

Product specifications are subject to change without notice or obligation.

ADVA™
Optical Networking